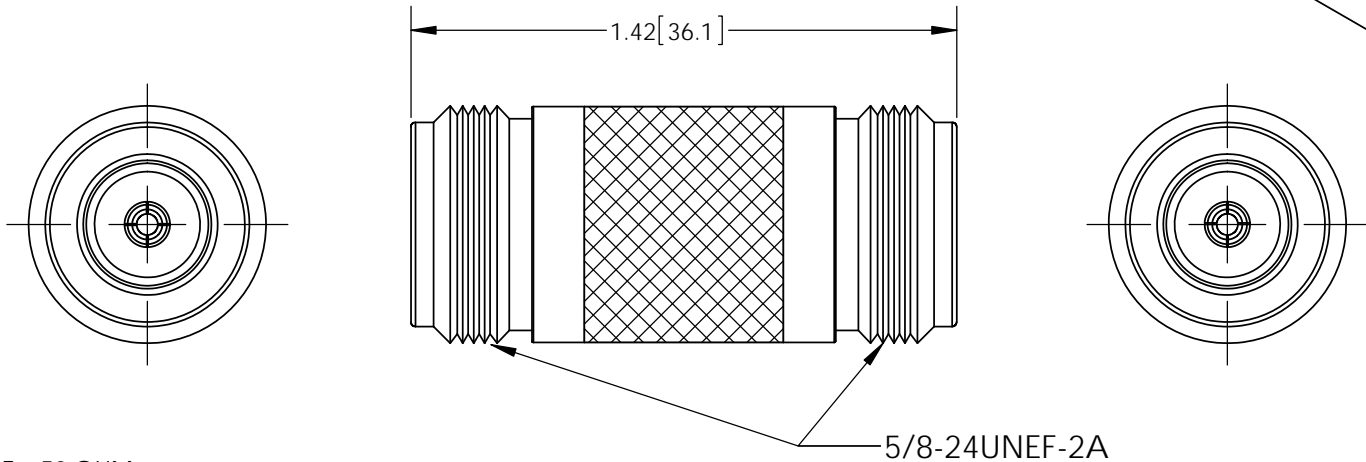
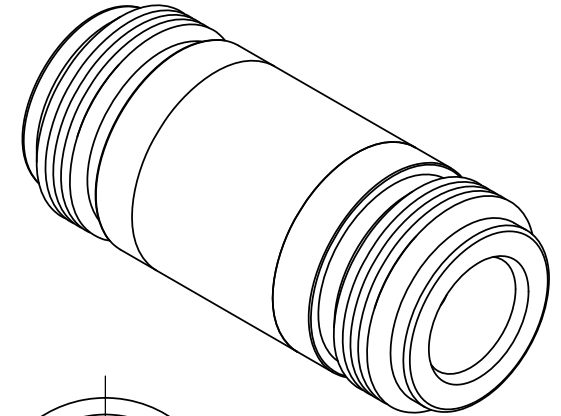


THE INFORMATION CONTAINED IN THIS DRAWING IS THE SOLE PROPERTY OF L-COM, INC. ANY REPRODUCTION IN PART OR WHOLE WITHOUT THE WRITTEN PERMISSION OF L-COM, INC. IS PROHIBITED.

| REVISIONS | | | |
|-----------|-----------------|----------|-----------|
| REV | DESCRIPTION | DATE | APPROVED |
| A | INITIAL RELEASE | 10/28/15 | D.GRIFFIN |
| | | | |
| | | | |

| DESCRIPTION | MATERIAL | FINISH |
|----------------|-----------------|---------|
| GASKETS | SILICONE RUBBER | --- |
| BODY | BRASS | CuSnZn3 |
| INSULATOR | PTFE | SILVER |
| CENTER CONTACT | BRONZE | SILVER |



NOTES:

ELECTRICAL:
 IMPEDANCE: 50 OHM
 FREQUENCY RANGE: DC-3GHz
 VSWR: ≤ 1.1
 PASSIVE INTERMODULATION(PIM): $\leq -160\text{dBc}$
 DIELECTRIC WITHSTANDING VOLTAGE: 2500V
 INSERTION LOSS: $\leq .05$ dB
 INSULATION RESISTANCE: $\geq 5000\text{M OHM}$
 CONTACT RESISTANCE:
 CENTER CONTACT: $\leq 1.0\text{m OHM}$
 OUTER CONTACT: $\leq 0.25\text{m OHM}$

MECHANICAL:
 DURABILITY: ≥ 500
 INTERFACE DIMENSIONS CONFORMABLE TO IEC 60169-16

PACKAGING:
 COMPONENT SHALL BE INDIVIDUALLY PACKAGED IN ACCORDANCE WITH L-COM SPECIFICATION PKG-00012

REGULATORY COMPLIANCE:
 CE2011/65/EU(RoHS DIRECTIVE)

| | | | | | |
|---|-------------------------------|------------------|----------------------------|--|------------------|
| UNLESS OTHERWISE SPECIFIED, DIMENSIONS ARE IN INCHES [mm] DIMENSIONAL TOLERANCES: .X = ± 0.1 [2.54] .XX = ± 0.01 [0.25] .XXX = ± 0.005 [0.13] ANGULAR TOLERANCES: ALL = $\pm 1^\circ$ | APPROVALS | DATE | | 45 BEECHWOOD DRIVE NORTH ANDOVER, MA 01845 | |
| | DRAWN BY B.PUCHASKI | 09/28/15 | | | |
| | CHECKED BY K.BURGNER | 09/28/15 | CATEGORY | COAXIAL | |
| | APPROVED BY P.PESA | 09/28/15 | PRODUCT DESCRIPTION | N-FEMALE TO N-FEMALE ADAPTER PIM RATED | |
| PROJECTION | COLOR VARIATIONS MAY OCCUR | SIZE A | FSCM NO. 43321 | DWG. NO. AXA-PNFNF | REV. A |
| | | SCALE: NONE | CAD FILE: AXA-PNFNF.SLDDRW | SHEET 1 OF 1 | |