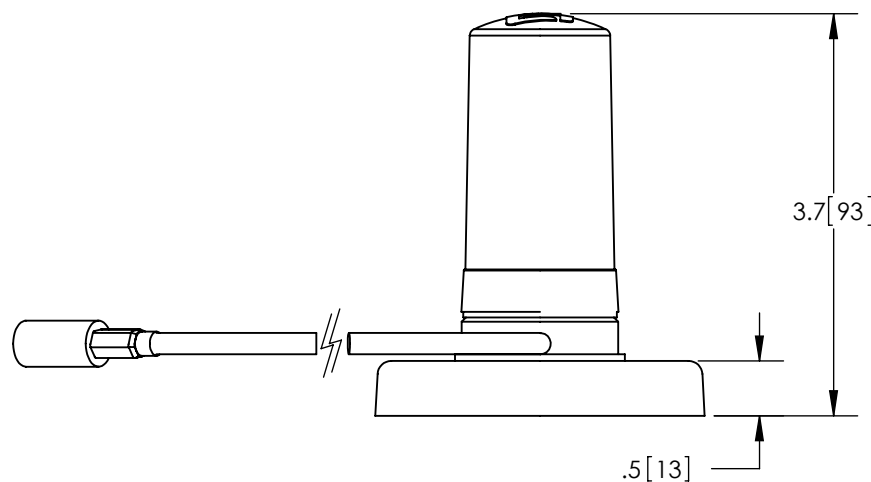
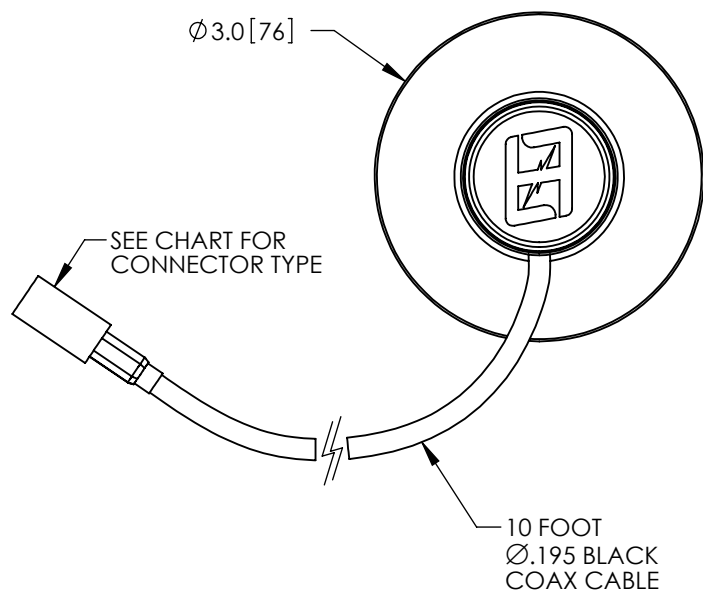
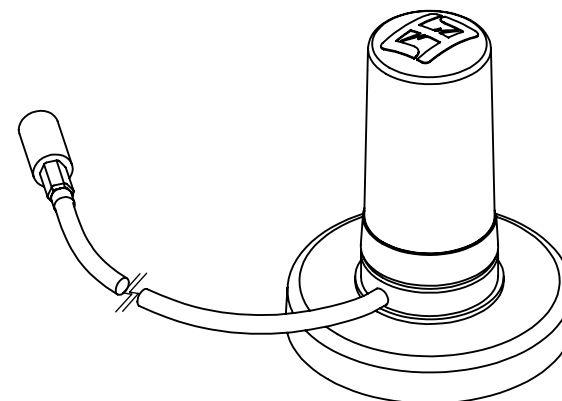


THE INFORMATION CONTAINED IN THIS DRAWING IS THE SOLE PROPERTY OF L-COM, INC. ANY REPRODUCTION IN PART OR WHOLE WITHOUT THE WRITTEN PERMISSION OF L-COM, INC. IS PROHIBITED.

MODEL# HG245803MGURB-XX	
NF	N-FEMALE
NM	N-MALE
RSP	RP SMA-PLUG
RSJ	RP SMA-JACK
RTP	RP TNC-PLUG
RTJ	RP TNC-JACK
RNP	RP N-PLUG
RNJ	RP N-JACK
SM	SMA MALE
SF	SMA FEMALE
TM	TNC MALE
TF	TNC FEMALE
BM	BNC MALE
RBP	RP BNC PLUG
RBJ	RP BNC JACK
WM	WAVE RIDER COMPATIBLE TYPE
AM	ORINOCO COMPATIBLE TYPE
QP	QMA PLUG RIGHT ANGLE

REVISIONS			
REV	DESCRIPTION	DATE	APPROVED
A	INITIAL RELEASE	4/15/14	D.GRIFFIN



**NOTES:**  
**PACKAGING:**  
 COMPONENT SHALL BE PACKAGED IN ACCORDANCE WITH L-COM SPEC PKG-00012.

-ALL DIMENSIONS FOR REFERENCE-

**REGULATORY COMPLIANCE:**  
 CE2011/65/EU (RoHS DIRECTIVE)

UNLESS OTHERWISE SPECIFIED, DIMENSIONS ARE IN INCHES [mm]  DIMENSIONAL TOLERANCES: .X = ±.1 [2.54] .XX = ±.01 [.25] .XXX = ±.005 [.13]  ANGULAR TOLERANCES: ALL = ± 1°	APPROVALS	DATE		45 BEECHWOOD DRIVE NORTH ANDOVER, MA 01845
	DRAWN BY B.PUCHASKI	04/14/14		
	CHECKED BY P.PESA	04/14/14	CATEGORY <b>ANTENNA</b>	
	APPROVED BY P.PESA	04/14/14	PRODUCT DESCRIPTION 2.4/5GHz 3dBi NMO ANTENNA BLACK W/ MAG MOUNT CHROME, 10FOOT COAX, CONNECTOR	
PROJECTION	COLOR VARIATIONS MAY OCCUR	SIZE <b>A</b>	FSCM NO. <b>43321</b>	DWG. NO. HG245803MGURB
		SCALE: NONE	CAD FILE: HG245803MGURB.SLDDRW	SHEET 1 OF 1